

CORRIDOR™ 6520 MULTIFUNCTION CABINET

bdiusa.com
customerservice@bdiusa.com



Product Registration

Registering your new BDI product allows us to send you important product updates, service information and helpful hints related to your BDI products. Register today and you will be entered to win free a BINK table from BDI. www.bdiusa.com/product-registration/

Placement and Maintenance

Corridor® Office furniture is designed for indoor use on level floors. Clean glass with glass cleaner, and steel parts and wood veneer with a moist cloth.

Your Corridor® Office furniture is engineered for easy assembly. Carefully follow this procedure to prevent any damage.

Do not use power tools for assembly of this product.

Step 1

Unpack and identify the parts listed below. The assembly workspace should be a non-marring surface such as carpet. For missing hardware pieces, please contact BDI Customer Service at customerservice@bdiusa.com. For all other concerns, please contact your BDI retailer.



T1 4mm Hex Wrench



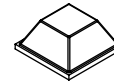
H1 1/4-20 x 12mm Machine Screw x 12



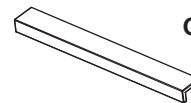
H2 M4 x 37mm Machine Screw x 8



H3 1/4-20 x 63mm Machine Screw x 2



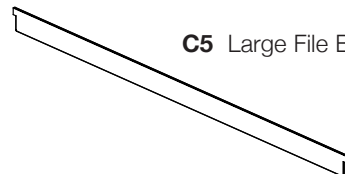
H4 Bumper x 6



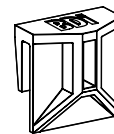
C2 Pull x 4



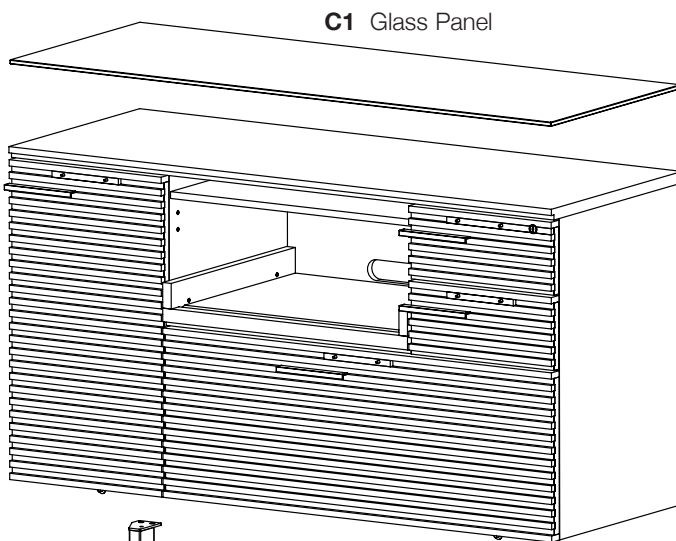
C4 Small File Bar x 2



C5 Large File Bar x 1



C6 File Bar Clip x 4



C1 Glass Panel

A1 Cabinet

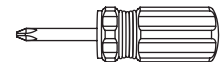
C8 Left Leg

C7 Base Stretcher

C9 Right Leg

Tool Required:

Phillips screwdriver

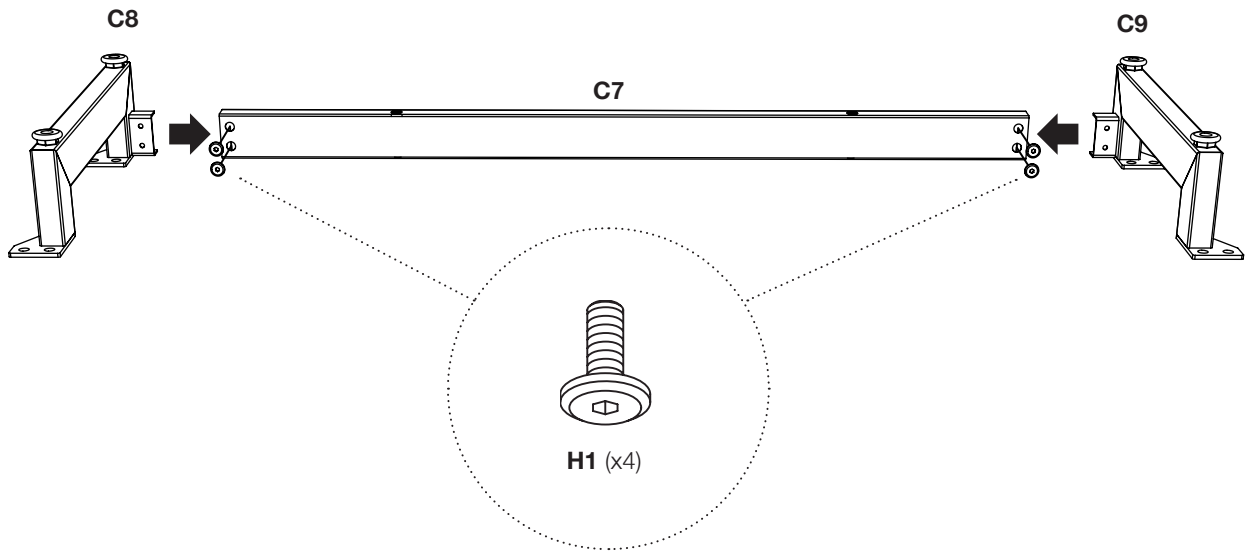


Designed by Matthew Weatherly.

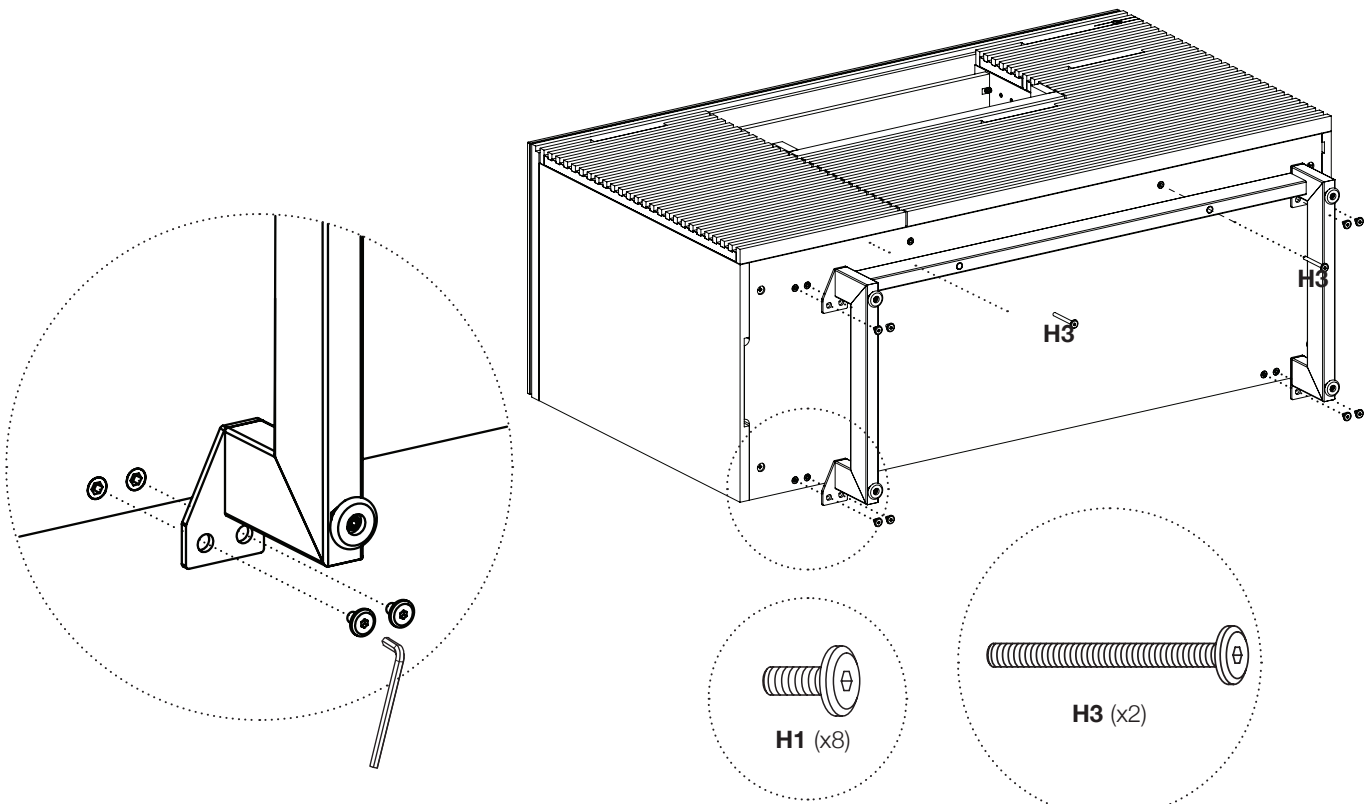
These distinctive product configurations are protected by US and international patents, trade dress, and/or copyright laws. Corridor & BDI are trademarks of Becker Designed, Inc. All rights reserved. ©2015, BDI Made in China. 02.05.2016 V2

Step 2 - Build Base Assembly

Slide **Metal Leg C3** into **Metal Rail C7** and attach by using **Hex Wrench T1** and **Screw H1**.

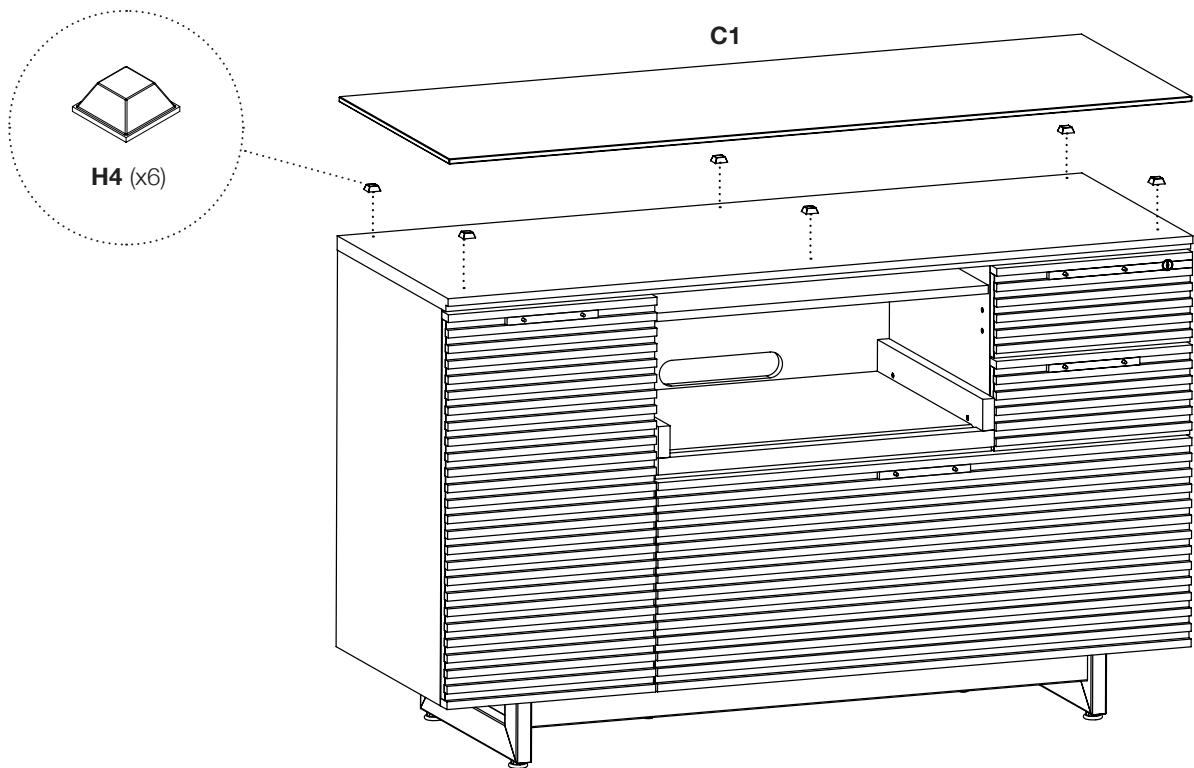


Step 3 - Attach Base Assembly to Cabinet using **Screws H1** and **H3** and tighten with **Hex Wrench**.

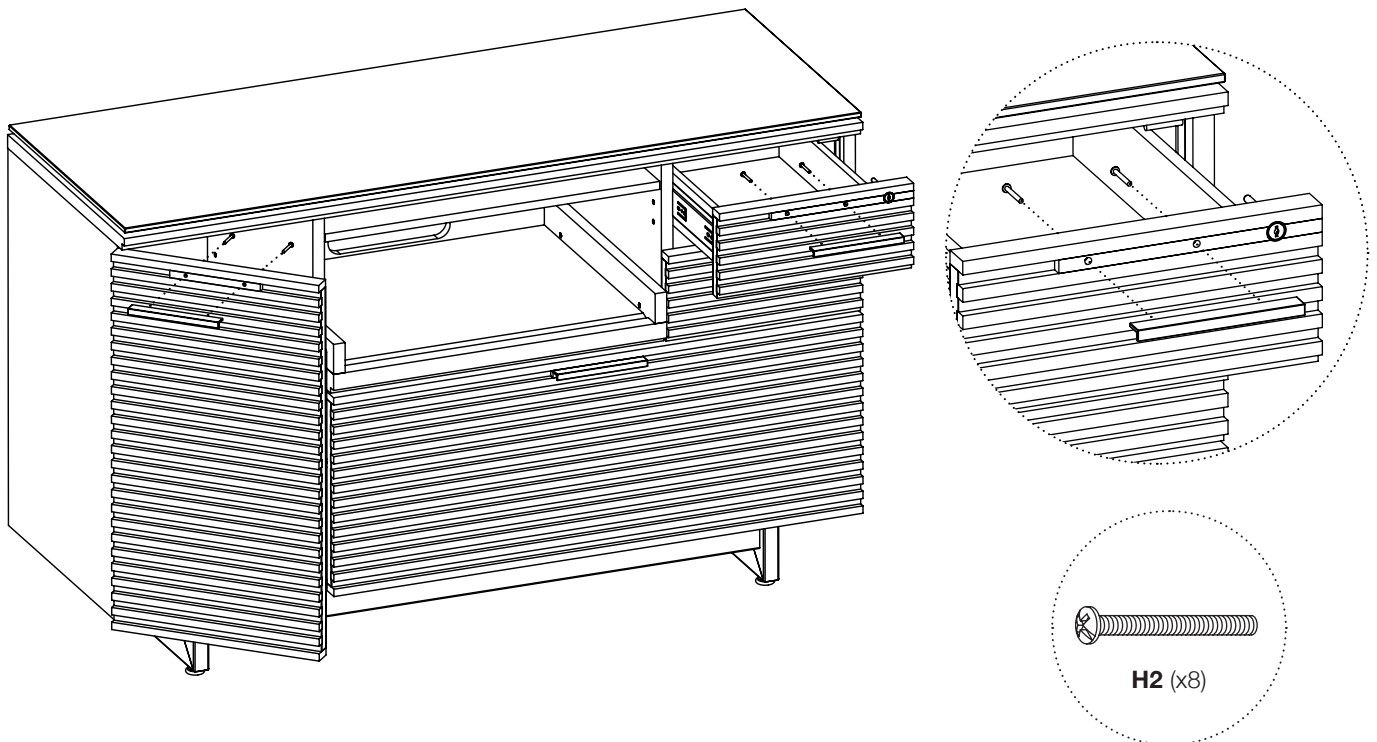


Step 4 - Install **Bumpers H4** at locations shown.

Step 5 - Carefully position **Glass Panel C1** flush with the edges of cabinet.

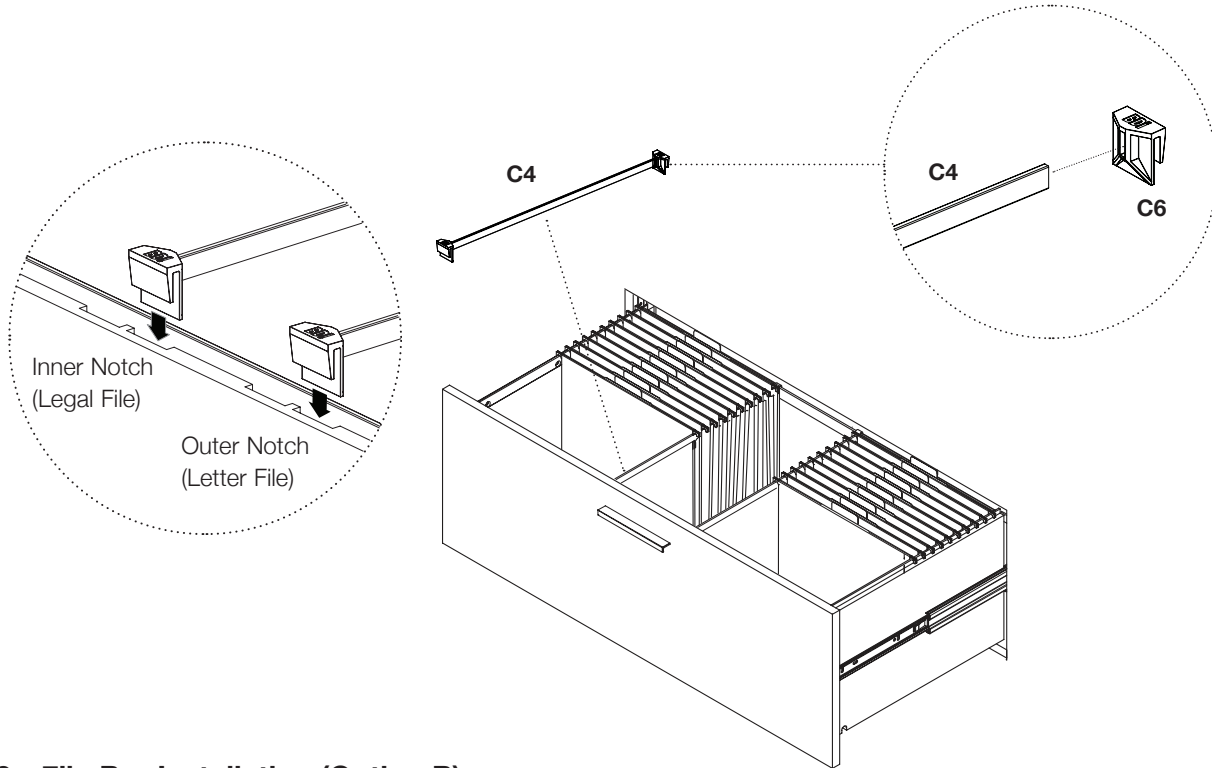


Step 6 - Attach pulls to cabinet door and drawers using **Screws H2** and tighten with Phillips screwdriver.



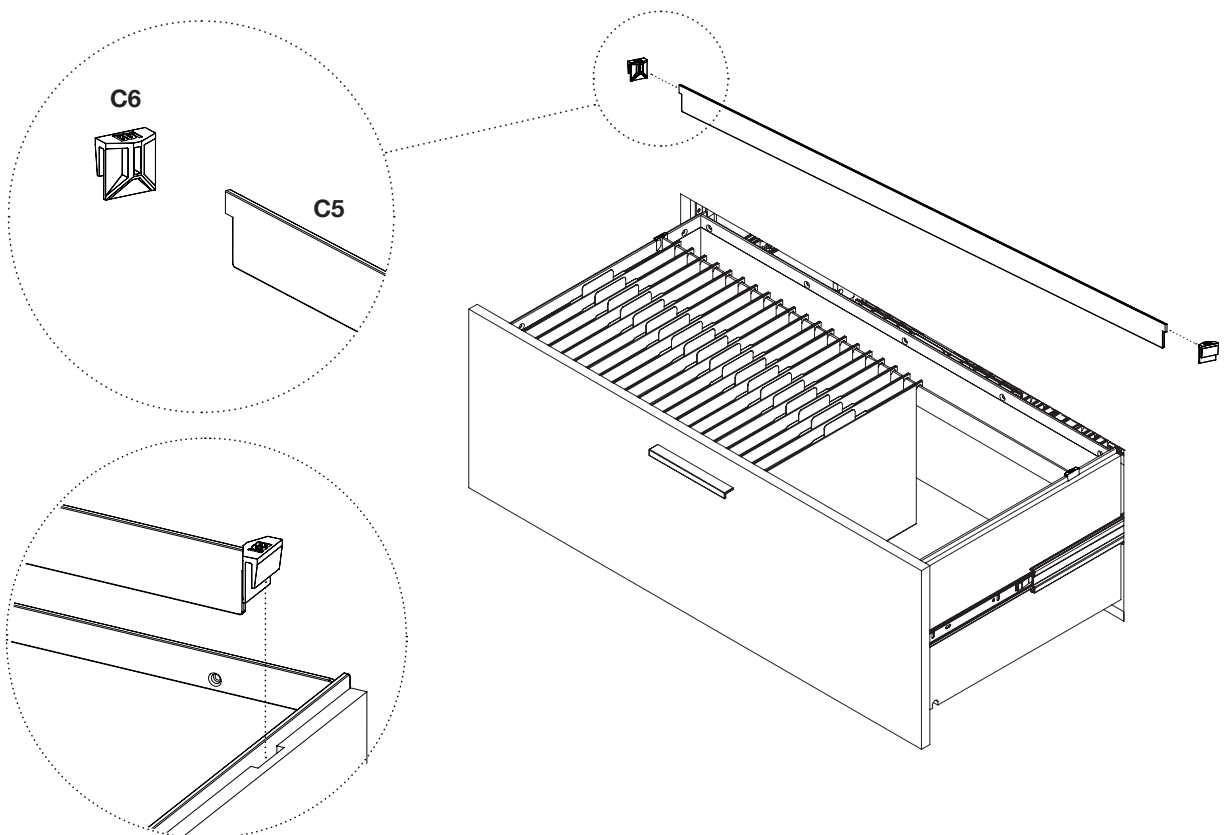
Step 7 - File Bar Installation (Option A)

For files facing forward, attach **File Bar Clip C6** to both ends of **Small File Bar C4** as shown. For letter files, use the outer notches on the front and back of the drawer. For legal files, use the inner notches.



Step 8 - File Bar Installation (Option B)

For files facing sideways, attach **File Bar Clip C6** to both ends of **Large File Bar C5** as shown. Place the file bar assembly in the notches located on the left and right drawer side panels. For side facing legal files, skip this step altogether.



Corridor file cabinets are pre-assembled with matching locks. If you require unique locks for your home or office use, please contact BDI Customer Service at customerservice@bdiusa.com to purchase a unique lock and key replacement kit which includes a lock assembly and two keys. To replace the lock please follow the instructions below.

Optional - Lock Removal and Installation

1. Open the drawer which houses the lock.
2. Using a Phillip's screw driver, loosen the 2 screws that secure the lock assembly to the back of the drawer facia panel.
3. Replace it with the new lock assembly and re-tighten the 2 screws.

Tool Required:
Phillips screwdriver

